

ERF4040, GSM/UMTS & GPS antenna, U.FL connector(2x)

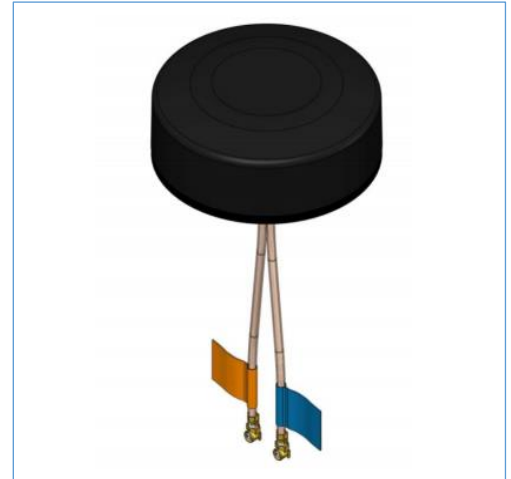
**Features**

**Electrical Properties**

Parameter:	Description
Frequency Band:	GSM/UMTS & GPS
Nominal Impedance:	50 Ω
Polarization:	Linear
V.S.W.R:	< 2.0
Gain:	2 dBi

**Mechanical Properties**

Parameter:	Description
Antenna Type:	External antenna
Connector Type:	U.FL (2x)
Antenna Dimensions:	46,6 mm
Antenna Color:	Black
Cable Length:	1000 mm
Operating Temperature Range:	-40°C~+85°C
Storage Temperature Range:	-40°C~+85°C



**Typical applications**

- GSM
- GPRS
- M2M
- 2G/3G/4G

**Description**

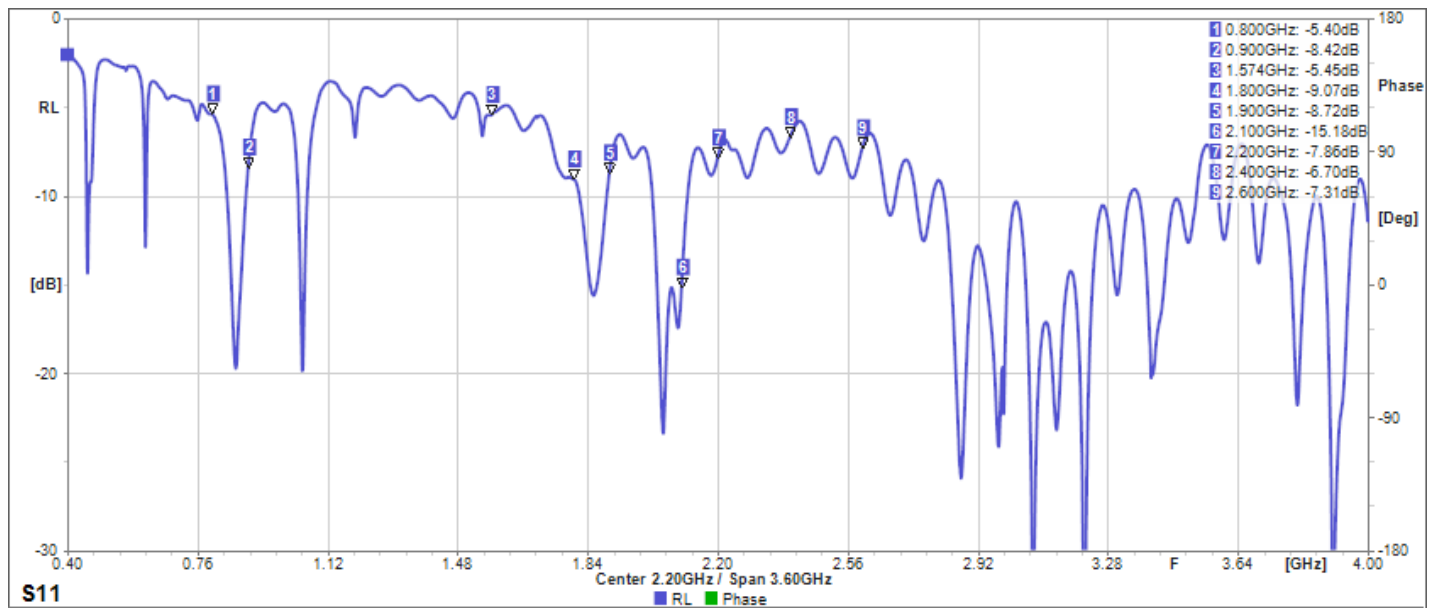
The ERF4040 antenna is an external GSM/UMTS and GPS antenna with a 2 U.FL connectors. The antenna can be used for applications such as, GSM, M2M, 2G/3G/4G and more.

ERF4040, GSM/UMTS & GPS antenna, U.FL connector(2x)

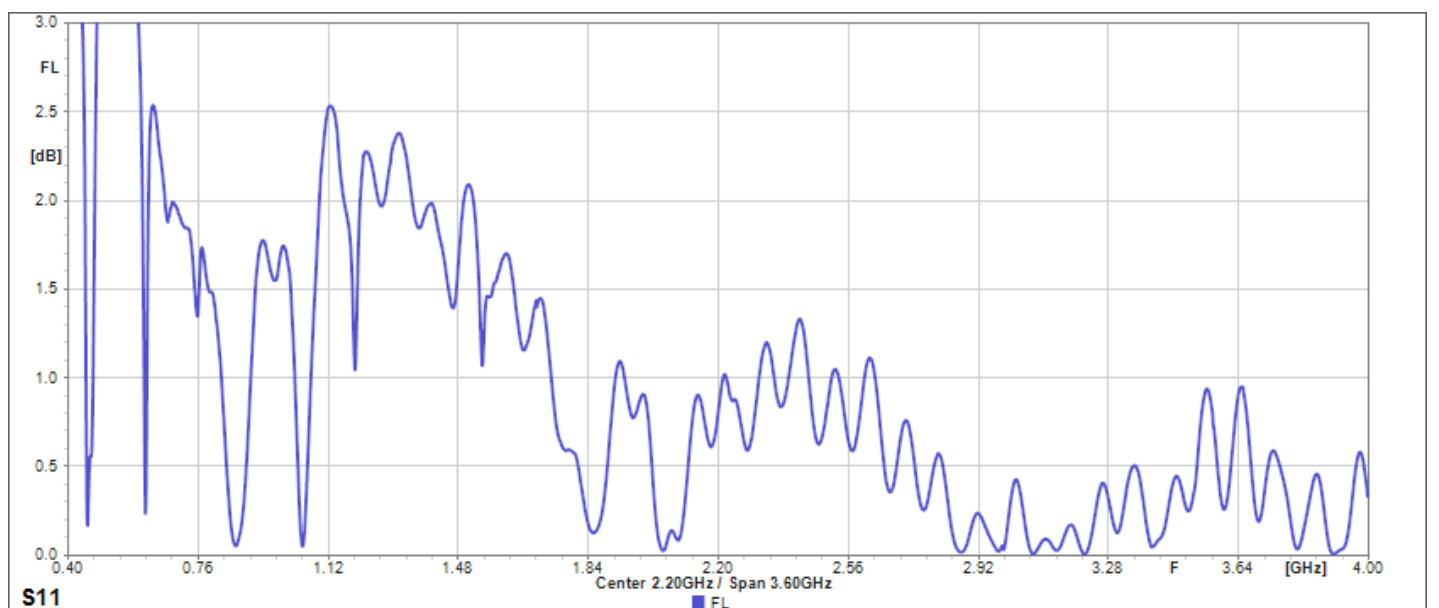
Antenna Properties

GSM

Return Loss

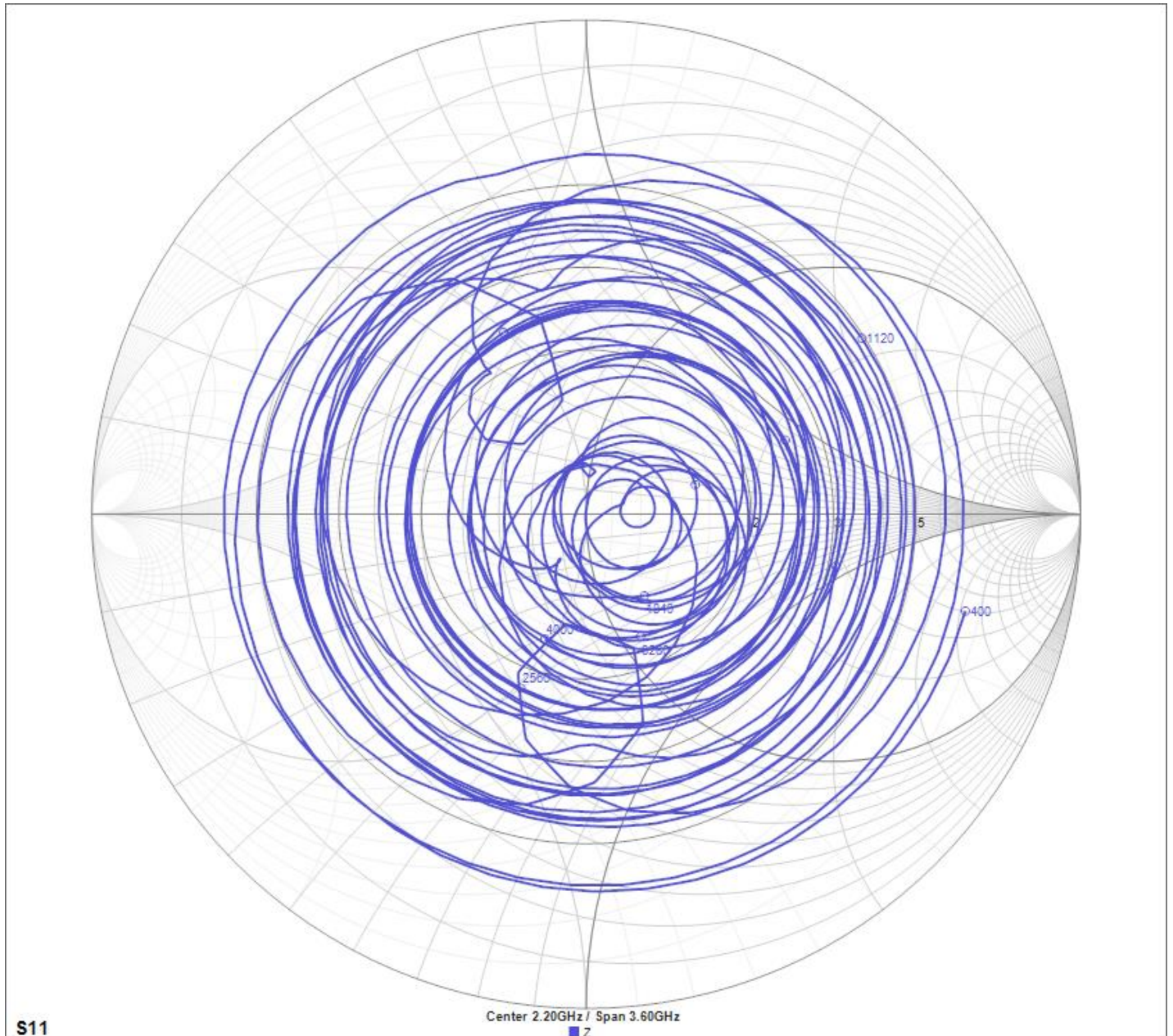


Forward Loss



ERF4040, GSM/UMTS & GPS antenna, U.FL connector(2x)

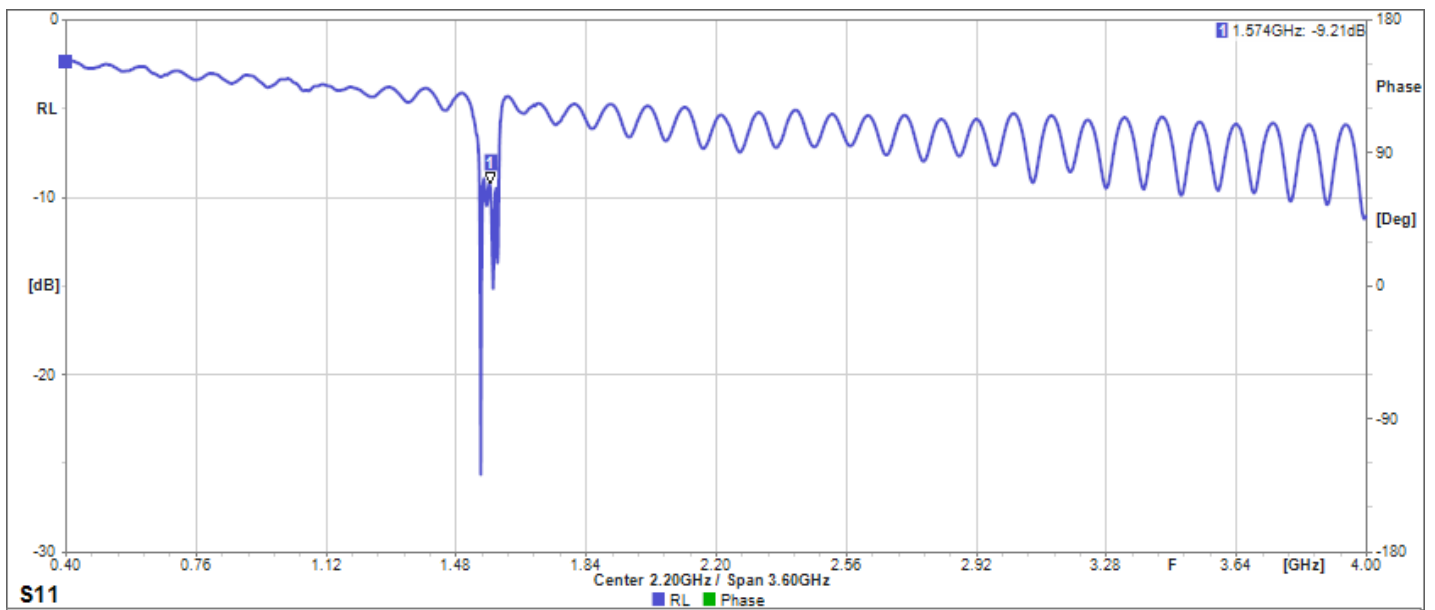
Impedance



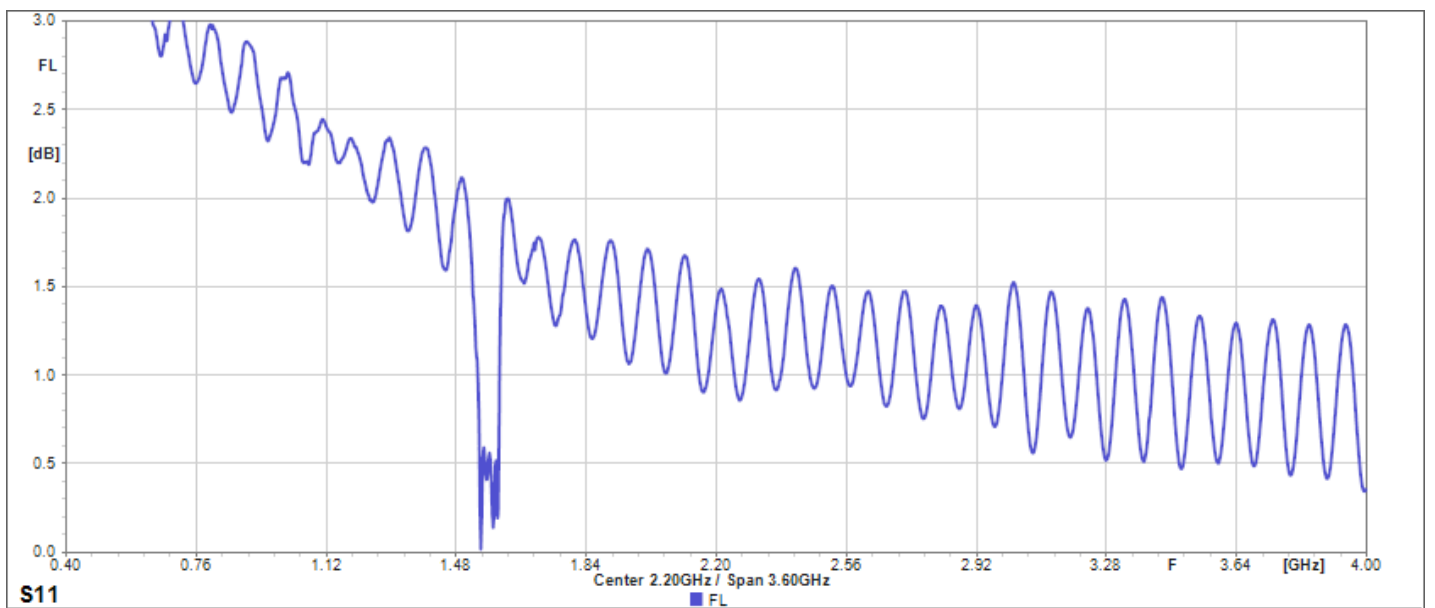
ERF4040, GSM/UMTS & GPS antenna, U.FL connector(2x)

**GPS**

**Return Loss**



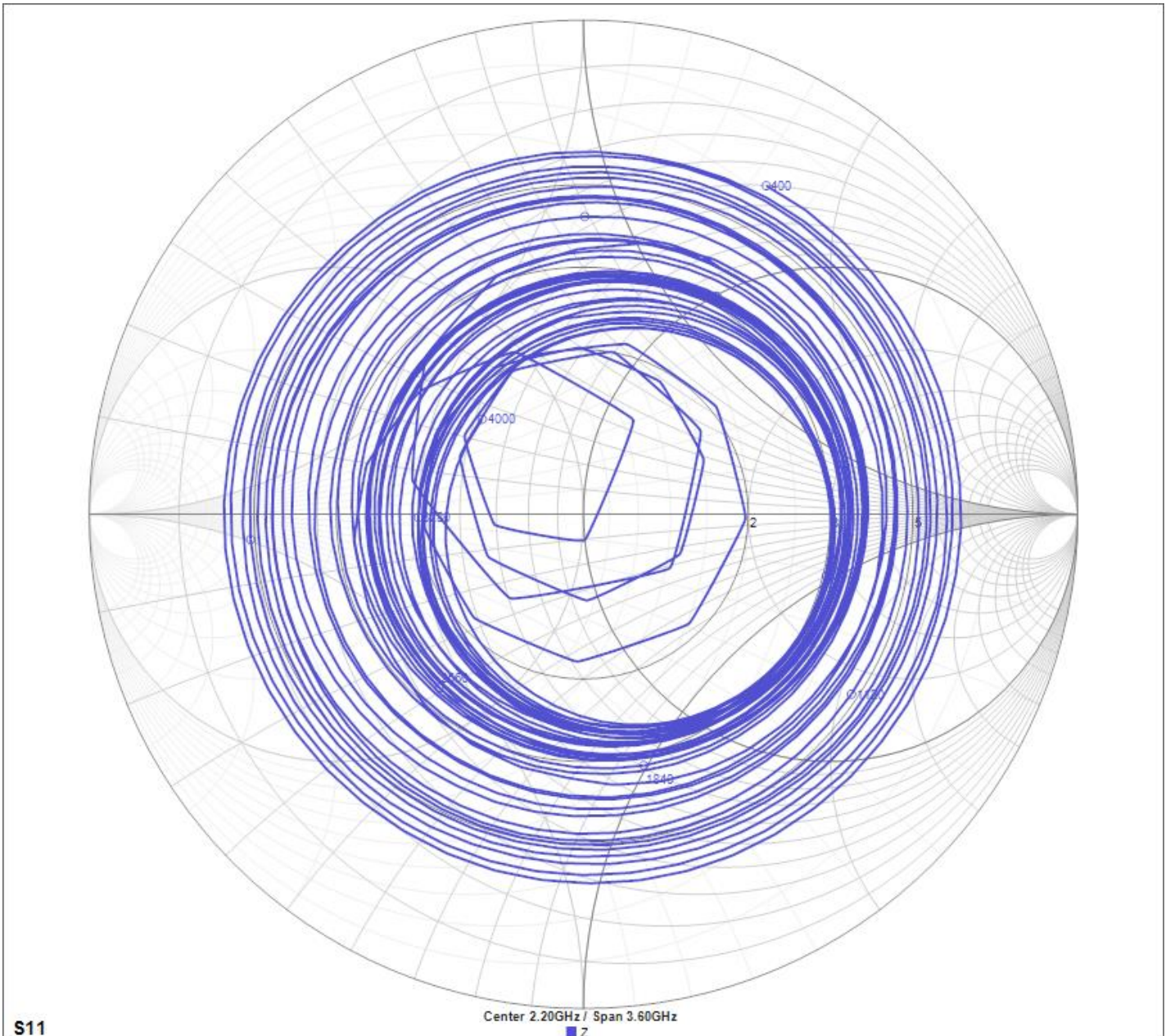
**Forward Loss**





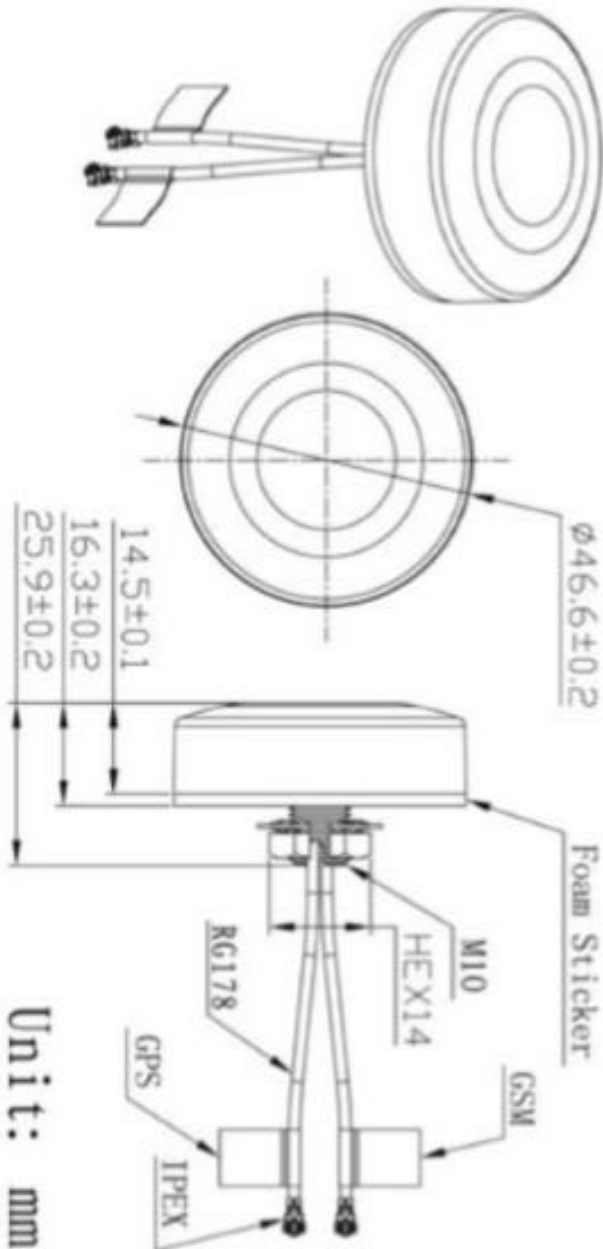
ERF4040, GSM/UMTS & GPS antenna, U.FL connector(2x)

Impedance



ERF4040, GSM/UMTS & GPS antenna, U.FL connector(2x)

Dimensions



Unit: mm



## ERF4040, GSM/UMTS & GPS antenna, U.FL connector(2x)

---

### Connector

The ERF4040 uses a U.FL connector.

### Ordering information

Ordering can be done via [www.summit-electronics.com](http://www.summit-electronics.com) or via [info@summit-electronics.com](mailto:info@summit-electronics.com). Please contact us for more information. Customisation of the product is available on request.

### Technical support

For all product questions please contact us via [info@summit-electronics.com](mailto:info@summit-electronics.com)